

Automate your internal logistics
in an easy way!

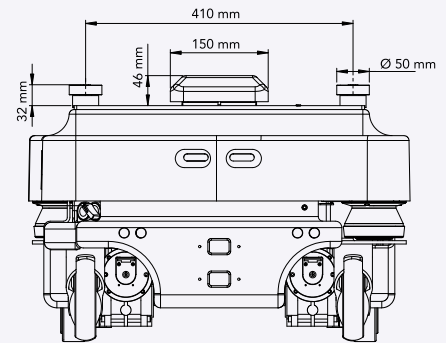
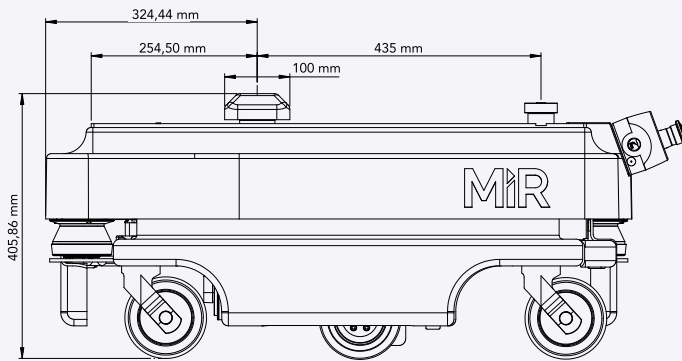


Towing Pin

DESIGNED FOR MIR100/200

Towing Pin TP200

With the towing pin for MiR100/200 you get the automated, easy to use transport system of the MiR, with the possibility of automatically picking, transporting and delivering trolleys/racks, without needing a large moving space typical of convoy systems.



Key features

- Assembly and simple integration with the MiR robot
- Automatic coupling and delivery of trolleys/racks
- Compact systems of reduced dimensions
- Increase load capacity
- Transport capacity on trailer up to 350kg
- No load transfer structures
- Compatible with other applications



Official Distributor



MECATRÓNICA & ROBÓTICA

Centro Emp. e Tecnológico de S.J.M.
R. Fundões, nº 151, Edif. S2-B
3700-121 S. João da Madeira

+351 256 028 909 / info@epl-si.com

Pólo Tecnológico de Lisboa
Lt.1, Estrada Paço do Lumiar
1600-545 Lisboa

+351 210 997 456

www.epl-si.com

Link your business!